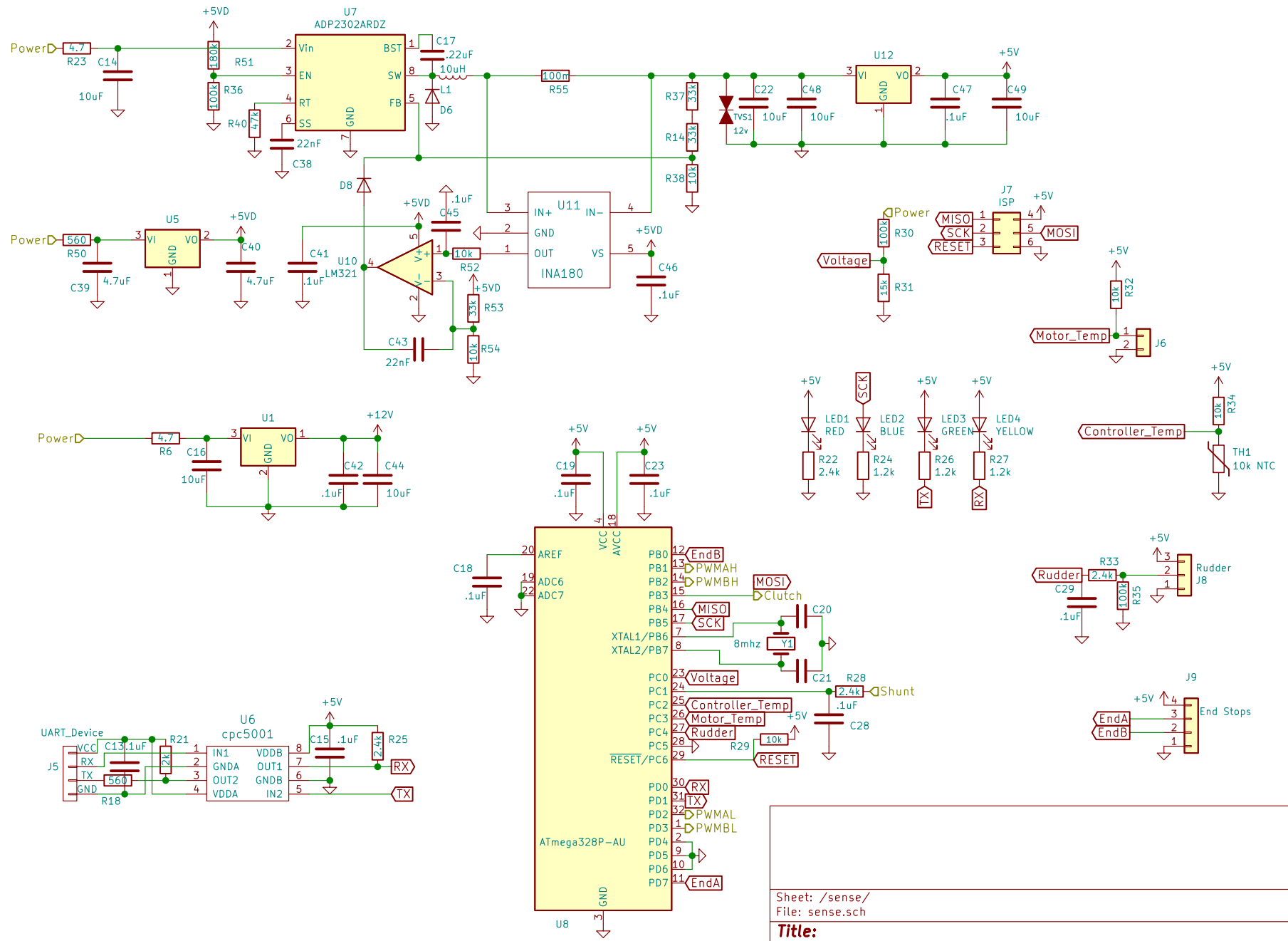


Sheet: /		Date: 29 nov 2017	
File: midpower_controller.sch		Rev:	
Size: A4	KiCad E.D.A. kicad 5.1.5+dfsg1-2build2	Id: 1/2	



Sheet: /sense/		Date: 16 nov 2017	
File: sense.sch		Rev:	
Size: A4	KiCad E.D.A.	Id: 2/2	