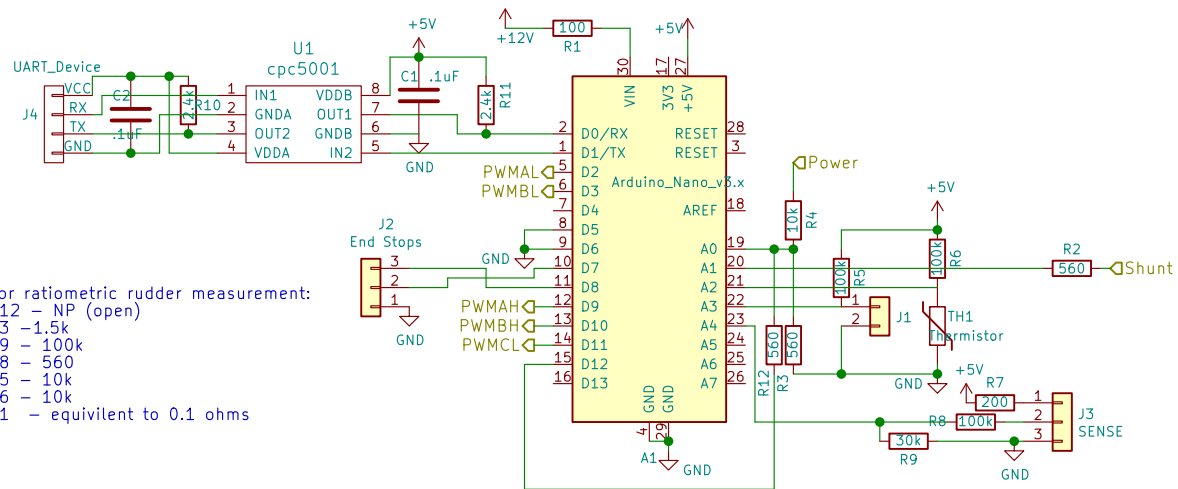


Sheet: /	
File: hydraulic_controller.sch	
Title:	
Size: A4	Date: 29 nov 2017
KiCad E.D.A. kicad 5.0.2	Rev: 1/2



For ratiometric rudder measurement:
R12 - NP (open)
R3 - 1.5k
R9 - 100k
R8 - 560
R5 - 10k
R6 - 10k
R1 - equivalent to 0.1 ohms

Sheet: /sense/
File: sense.sch

Title:

Size: A4 Date: 16 nov 2017
KiCad E.D.A. kicad 5.0.2

Rev:
Id: 2/2