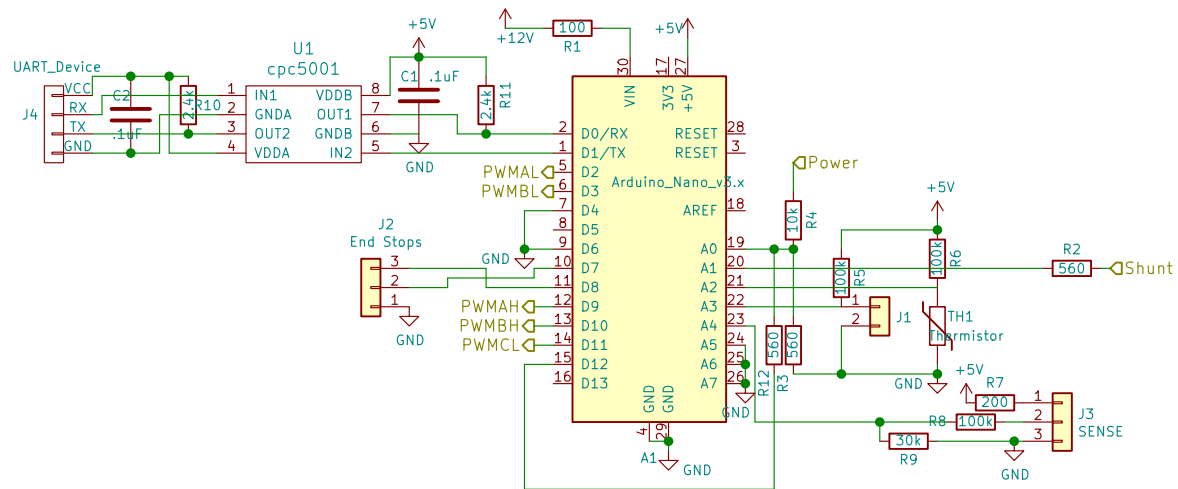


For 12 volt only:
 J5 only diode from 3->2
 Omit R12, R13, R14, Z1, C3
 R15 is 0 ohm (shorted)

Sheet: /	
File: hbridge_controller.sch	
Title:	
Size: A4	Date: 29 nov 2017
KiCad E.D.A. kicad 5.0.2	Rev: Id: 1/2



Sheet: /sense/
File: sense.sch

Title:

Size: A4 Date: 16 nov 2017
KiCad E.D.A. kicad 5.0.2

Rev:
Id: 2/2